

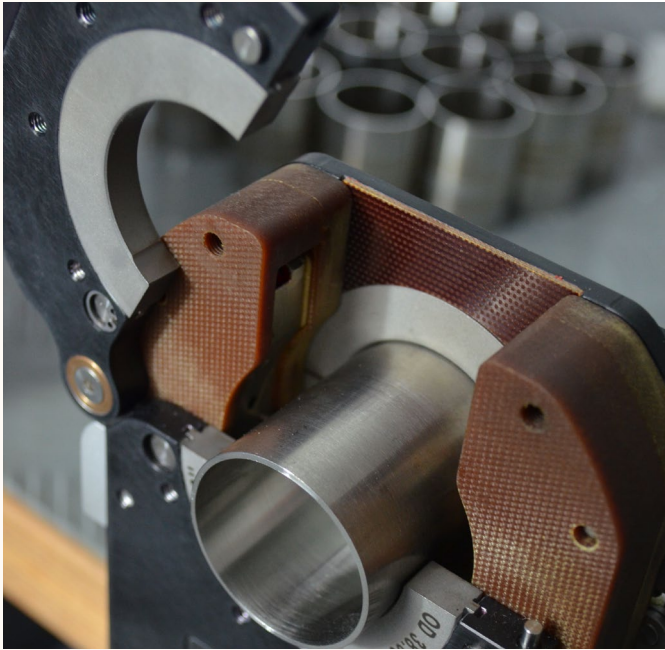
## Orbital welding (Closed head)

**AXXAIR**  
INNOVATIVE ORBITAL SOLUTIONS

Our range of closed welding heads (SATF series) allows you to make very high quality welds in a minimum space.

These heads have been studied to meet the most stringent welding requirements and in the tightest areas.

This type of equipment is mainly used in the aerospace, semiconductor, pharmaceutical or food industries. It is essential for welding titanium which is very sensitive to oxidation.



Closed heads provide optimum gas protection (closed chamber) which results in welds with very limited colouration. They are recommended for welding stainless steel tubes of wall thickness <3 mm in simple fusion without added wire.

The alloy parts of the machine are designed to accept any type of assembly and to offer more welding possibilities.

A control keypad is integrated into the handle of the machine. It allows you to control all primary functions of the head. The welding cycle is visualized by an LED.

The SATF range, combined with our AXXAIR welding generators and its permanent control of the welding parameters, guarantees repeatable and quality welding. This type of weld can be inspected using the most stringent means, such as X-ray inspection.

### FLEXIBILITY, PRODUCTIVITY

Productivity remains our primary concern. A liquid cooling circuit has been developed to increase the machine life cycle and also to allow a high welding rate.

### QUALITY AND REPEATABILITY

Thanks to its new adjustable closing system and the carefully designed shape of its jaws, the SATF range allows optimum tube positioning (concentricity between the axis of rotation of the electrode and your tube) while controlling the tightening forces so as not to distort or mark your tubes.

### PORTABILITY

In order to allow you to weld in restrictive conditions and locations, the size and weight of the machines have been optimized. Our welding cable, housed in an ultra flexible and very resistant protective sheath, also facilitates manipulation of the welding head.



Please do not hesitate to contact us for all enquiries relating to orbital welding technology.

We will be glad to share our know-how with you and to devise a solution that best meets your needs!



Join **experience**



# SATF-40NDHX - 65NDHX - 115NDHX



### Protection

High protection against arcing outside the electrode

### Viewing window

Fixed and transparent option



### Power drive system with encoder

Allows STARTING IN ALL ANGULAR POSITIONS of the electrode

### Strengthening of closing systems

Adjustable force closing systems. Allows precise adjustment of the force of the jaws on the tube to be welded according to its geometry



### Water cooled



Length of the cable: 5 metres

### Fine tube welding

Up to 2.5 mm (3 mm in some cases)

### Compatible with SAXX welding generators



These heads can also be used on the old AXXAIR welding stations with adapter cables

### Transport + suspension

These heads are delivered in their work site case and with a suspension assembly



### Remote control keypad

It incorporates an LED on the handle to indicate whether the machine is in welding cycle or not.



# SATF 40NDHX - 65NDHX - 115NDHX



## Technical characteristics:

Maximum welding current	120 A
100% Duty cycle	60 A

The new NDHX heads are used with SAXX range welding stations.

Changes have been incorporated in the upper part, for the closing and flap guide systems. The new adjustable force closing system allows you to precisely set the force of the jaws on the tube to be welded according to its geometry. Closing is more precise and the parts to be welded are better positioned.

The heads are cooled in two ways: on the electrode holder by contact and on the outer aluminium plates in the lower part.

This cooling is essential to guarantee a long service life of the parts because it minimizes distortion effects due to expansion.

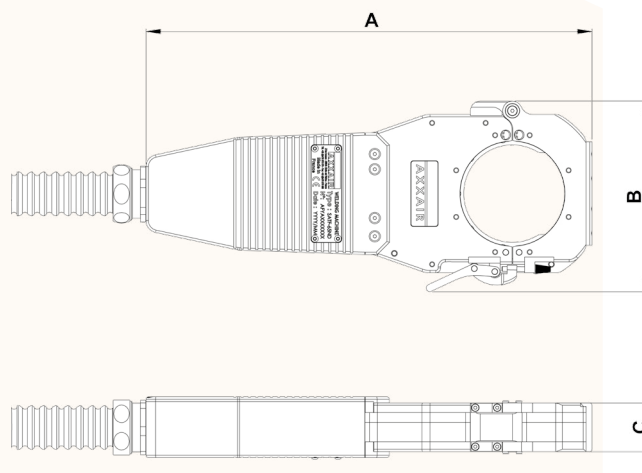
- Cable extensions
- Remote electrodes
- Flange for welding elbows



## Specific features

Option: Possibility of mounting a window in the upper part thus verifying the correct positioning of the electrode, for the parts to be welded, before starting the cycle.

**CAUTION:** If you use the head with a window, it is necessary to wear suitable eye protection (welding mask).



Product Code	Description	Tube welding machine for the following diameters (in mm):	Net weight	Customs code	Dimensions (AxBxC in mm)
SATF-40NDHX	Water-cooled closed head for SAXX	ø 6 to ø 40 mm	8.8 kg	85153 10000	336 x 122 x 40
SATF-65NDHX	Water-cooled closed head for SAXX	ø 6 to ø 65 mm	9.2 kg		366 x 152 x 40
SATF-115NDHX	Water-cooled closed head for SAXX	ø 25 to ø 115 mm	9.9 kg		421 x 222 x 40

